

EmeRed Datasheet

Description

EmeRed is a small, intelligent device that is programmed to automatically complete your statutory compliance tests to ensure the lights are working when they are needed, and compliant with the relevant BSI Standards and industry legislation.

Application

EmeRed is retrofittable into any emergency light fitting, from any manufacturer.

Vericon's EmeRed uses a ZigBee self-healing mesh to cover large buildings with a single Gateway Hub. The Gateway can utilise GSM, or existing WiFi or Ethernet connectivity to communicate with Connect, Vericon's secure and scalable cloud-based platform.

All information collected by the devices is sent to Connect to be analysed and interrogated by our machine learning algorithms. The data can then be reviewed on portal and downloaded for compliance reporting.

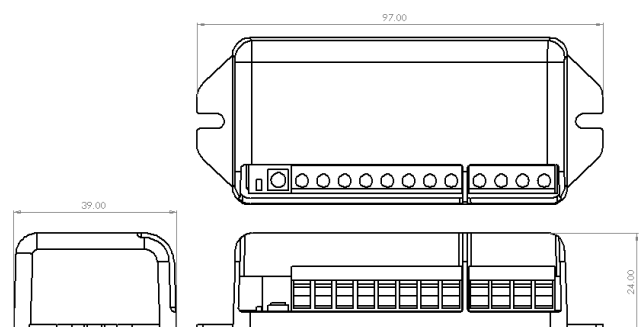
Specifications

Model	ND5
Supply	2.4 - 8VDC, 0.1A
Permanent Live	110-230VAC, 50/60Hz, 5A
Switched Live	110-230VAC, 50/60Hz, 5A
Max. Current	0.25A
Wireless	ZigBee 802.15.4
Case Material	PC/ABS V0
Dimensions	97 x 39 x 24 mm
Certifications	CE; RED

Features

- Compatible with all emergency lighting
- Retrofittable in 10 minutes
- Battery health monitoring
- Preventative maintenance alerts
- Remote autonomous tests
- Ensure emergency lighting compliance
- Audit ready reporting for your portfolio

Product Diagram



Wiring Diagram

